

SERVICE MANUAL

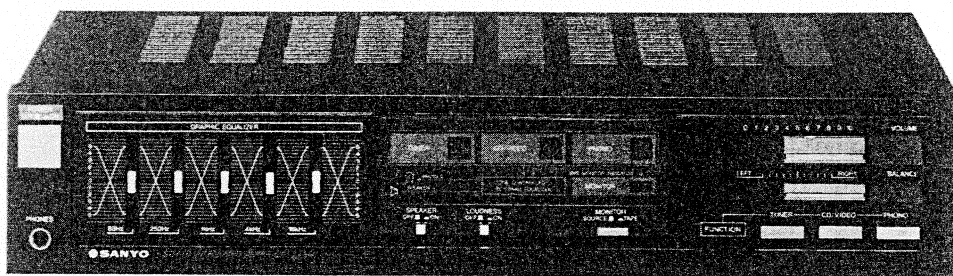
POWER AMPLIFIER



SANYO

JA 366

BLACK
(EUROPE)



SPECIFICATIONS

The below mentioned specifications are mainly based on the IHF measurements standard. They can therefore not directly be compared with specifications based on the DIN standard or other standards.

Continuous output power	35 W x 2 (at 8 ohms, 0.9% distortion)
Input sensitivity and impedance	
PHONO	2.5 mV/47 kohms
CD/VIDEO	150 mV/47 kohms
Frequency response	20 Hz – 20 kHz (CD/VIDEO)
Graphic equalizer	±10 dB (63/250/1000/4000/16000 Hz)
Loudness control response	
(Vol. –30 dB)	+8 dB/+4 dB (100 Hz/10 kHz)
Signal to noise ratio	95 dB (CD/VIDEO)
Power requirements	AC: 220 V, 50 Hz
Power consumption	180 W
Dimensions (W x D x H)	Approx. 420 x 200 x 85 mm (16-1/2" x 7-7/8" x 3-3/8")
Weight	Approx. 4.1 kg (9 lbs. 1oz.)

* Specifications subject to change without notice.

WM-1

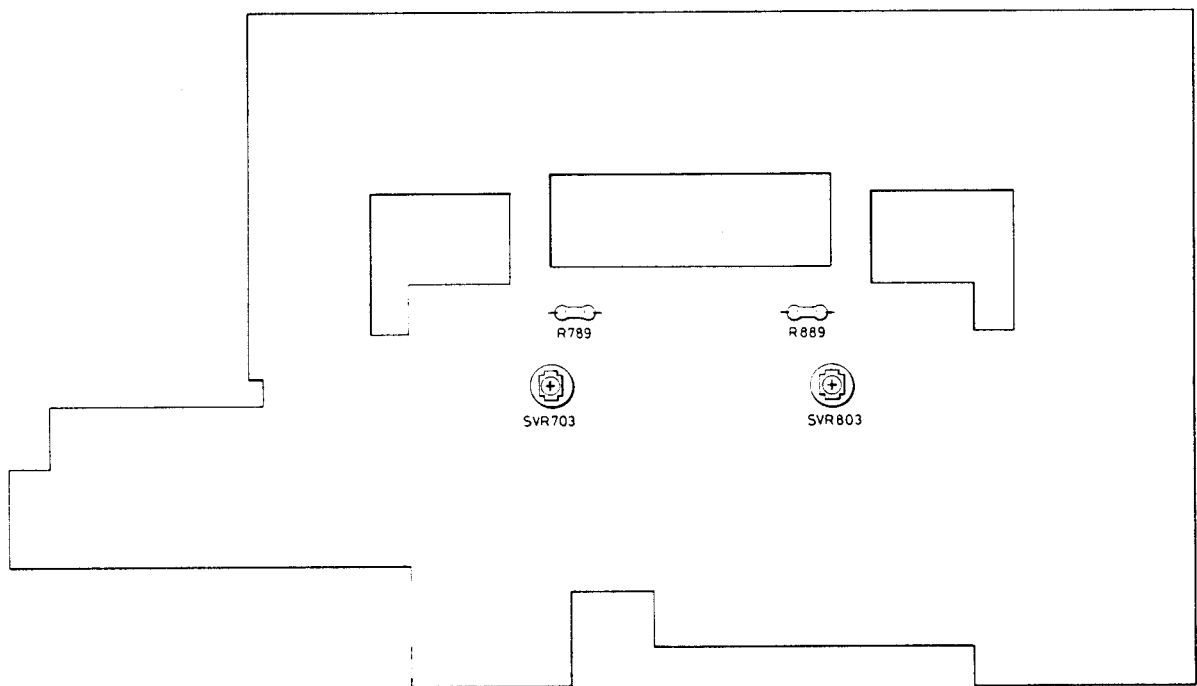
BIAS CURRENT ADJUSTMENT

CONDITIONS

VOLUME : Minimum
BALANCE : Center
EQUALIZER : Center
FUNCTION : CD/VIDEO
SPEAKER : OFF
Output Load : No Load

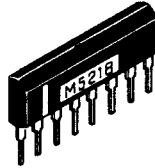
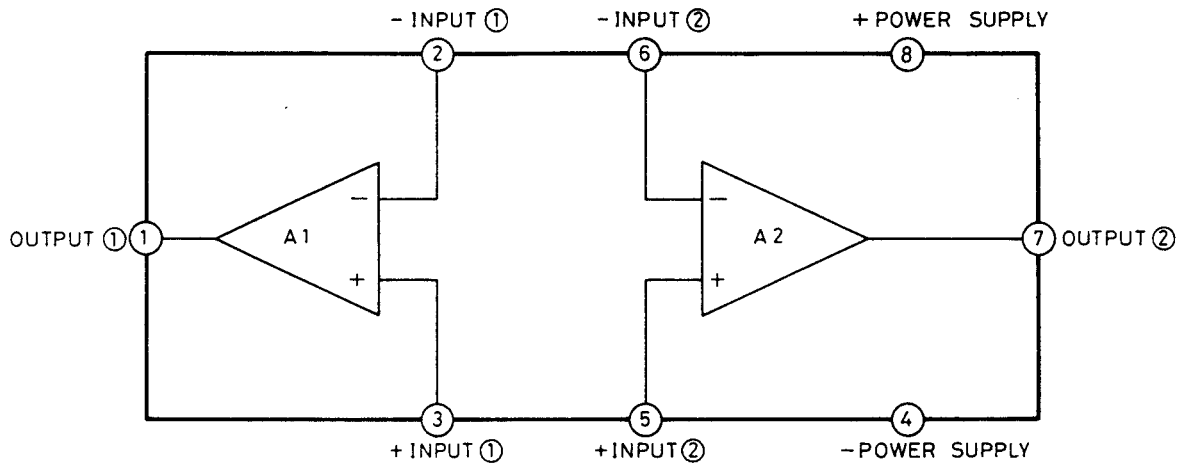
Adjustment should be made after 3 minutes that the power switch is turned on.

1. Adjust SVR703 to obtain 1.0 mV reading between terminals of R709 for left channel.
2. Adjust SVR803 to obtain 1.0 mV reading between terminals of R809 for right channel.

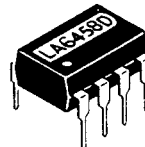
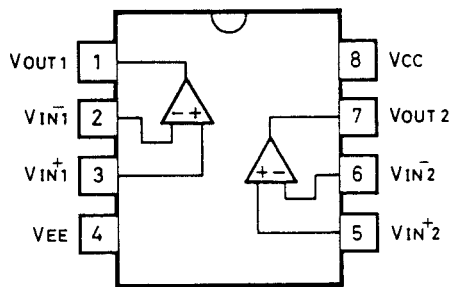


IC BLOCK DIAGRAMS

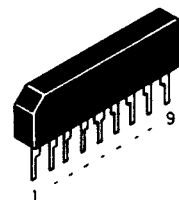
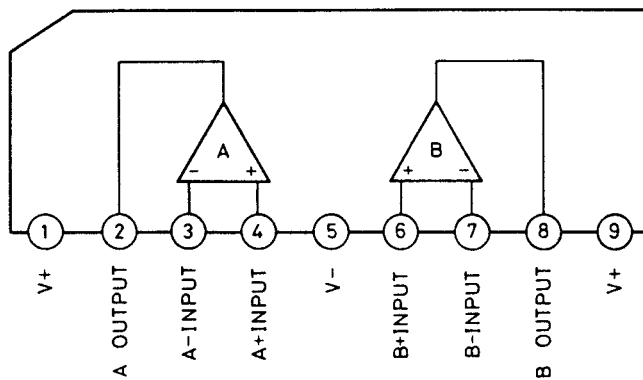
IC701 M5218P



IC701 LA6458DS



IC702 LA6458S



PARTS LIST

PRODUCT SAFETY NOTICE

Each precaution in this manual should be followed during servicing. Components identified with the IEC symbol \triangle in the parts list and the schematic diagram designate components in which safety can be of special significance. When replacing a component identified with \triangle , use only the replacement parts designated, or parts with the same ratings of resistance, wattage or voltage that are designated in the parts list in this manual.

Leakage-current or resistance measurements must be made to determine that exposed parts are acceptably insulated from the supply circuit before returning the product to the customer.

NOTE:

* Materials of Capacitors and Resistors are abbreviated as follows;

AL ELECT Aluminum Electrolytic
 BC CON Semiconductor Ceramic
 CHIP BC Chip Semiconductor Ceramic
 CHIP TAN Chip Tantal
 ELECT Electrolytic
 PP CON Polypropylene
 MT GLAZE Metal Glaze
 FP CARBON Flameproof Carbon

* Tolerance of Capacitors and Resistors are noted with follow symbols;

J $\pm 5\%$ P +100 - 0%
 K $\pm 10\%$ Q +30 - 10%
 M $\pm 20\%$ Z +80 - 20%
 N $\pm 30\%$

PACKING & ACCESSORIES

Ref. No.	Part No.	Description
	141-6-145T-93000	FOAM PLASTIC CASE
	141-6-133T-49828	INNER CORR CASE
	141-6-409T-22206	INST MANUAL
	141-6-235T-35605	INNER POLYE LAMINA COVER
	141-6-415T-32300	NOTICE
	141-6-235T-35601	INNER POLYE LAMINA COVER
	141-6-231T-20300	INNER POLYE COVER, INST MANUAL

Ref. No.	Part No.	Description
28	141-2-247T-53800	SHEET, 35X99
29	141-2-447T-30403	CUSHION, 10X10X10
Y1	BJB2S++310+Z1	S T BIND H 3X10Z1
Y3	BJX6S++3+8+Z1	S T WASHER H 3X8Z1
Y4	BJESS++4+8+Z1	S M BIND H 4X8Z1
Y5	BJB2S++310+Z1	S T BIND H 3X10Z1
or	141-2-421T-43901	SPECIAL SCREW
Y6	BJB2S++3+6+ZK	S T BIND H 3X6ZK
Y7	BJB2S++3+8+ZK	S T BIND H 3X8ZK
Y8	BJBYS++3+8+Z1	S M BIND H 3X8Z1
Y9	WJHGK++3K0CZ1	TH LOCK WASHER 3
Y10	BJES3++6+++Z1	S.M BIND H.S TIGHT 3X6Z1
Y11	BJB2S++3+6+Z1	S T BIND H 3X6Z1

CABINET & CHASSIS

Ref. No.	Part No.	Description
1	141-0-122T-60506	FRONT PANEL ASSY
2	141-2-125T-31908	BOTTOM LID ASSY
3	141-2-126T-49013	BACK LID
4	141-2-464T-14400	FIXER, AC POWER CORD
6	141-2-131T-51900	CLEAR WINDOW, FRONT PANEL
7	141-2-253T-44800	JOINT, SPEAKER SWITCH
8	141-2-160T-60430	PUSH BUTTON, MONITOR SWITCH
9	141-2-160T-60300	PUSH BUTTON, FUNCTION
10	141-2-160T-60800	PUSH BUTTON, LOUDNESS
11	141-2-290T-12900	BRACKET, BALANCE KNOB
12	141-2-290T-12500	BRACKET, VOLUME KNOB
13	141-2-164T-40800	SLIDE KNOB, BALANCE
14	141-2-164T-40700	SLIDE KNOB, VOLUME
15	141-2-111T-58205	CABINET
16	141-2-164T-40900	SLIDE KNOB, EQUALIZER
17	141-2-210T-71200	BRACKET, CONNECTOR
18	141-2-210T-71300	BRACKET, CONNECTOR
19	141-2-310T-68501	BRACKET, HEAT SINK, RIGHT
20	141-2-310T-68401	BRACKET, HEAT SINK, LEFT
21	141-6-479T-62301	LABEL
22	141-2-156T-37900	CUP KNOB, POWER SWITCH
23	141-2-160T-60500	PUSH BUTTON, POWER SWITCH
24	141-2-448T-16700	CUSHION, SLIDE KNOB
25	141-2-448T-16701	CUSHION, SLIDE KNOB
26	141-2-247T-49401	SHEET, EQUALIZER PCB
27	141-2-174T-14000	STAND
or	141-2-174T-14002	STAND

ELECTRICAL PARTS

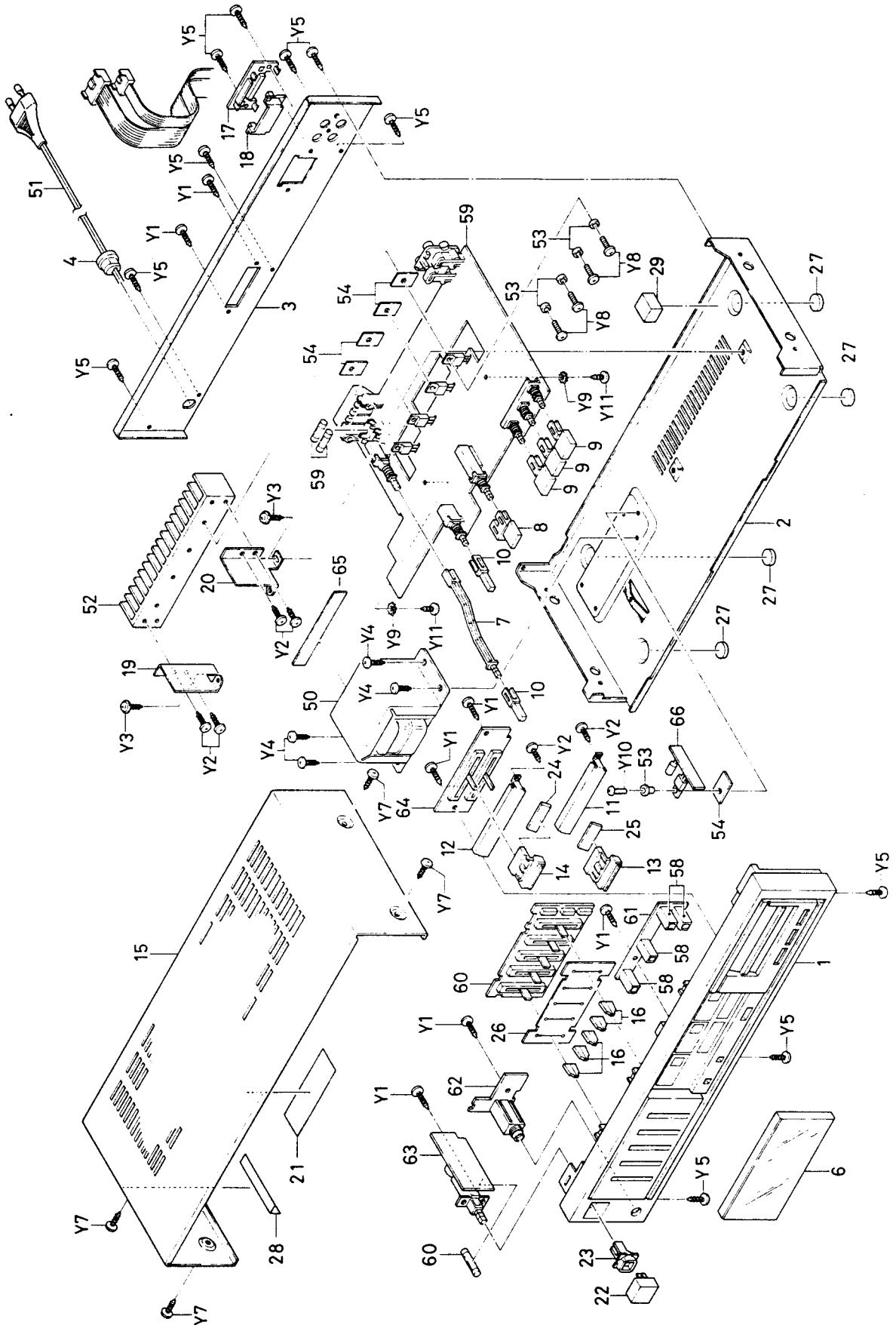
Ref. No.	Part No.	Description
50	\downarrow 4-320T-03600	POWER TRANSFORMER
51	\downarrow 4-243T-84973	AC POWER CORD
52	141-2-368T-26204	HEAT SINK
53	141-2-243T-09800	BASE, TRANSISTOR
54	141-2-327T-26100	INSULATOR, TRANSISTOR
58	141-2-329T-10100	REFLECTOR, LED
59	\downarrow 4-234T-10589	FUSE, 2.5A, 250V, (F701.801)
60	\downarrow 4-234T-10989	FUSE, 1.25A, 250V (F901)
	4-240T-83573	SOCKET, 3P
	4-240T-83575	SOCKET, 5P
	4-240T-83575	SOCKET, 5P
	4-240T-83577	SOCKET, 7P
	4-240T-47673	SOCKET, 3P
	4-240T-83575	SOCKET, 5P
	4-240T-83578	SOCKET, 8P

PARTS LIST

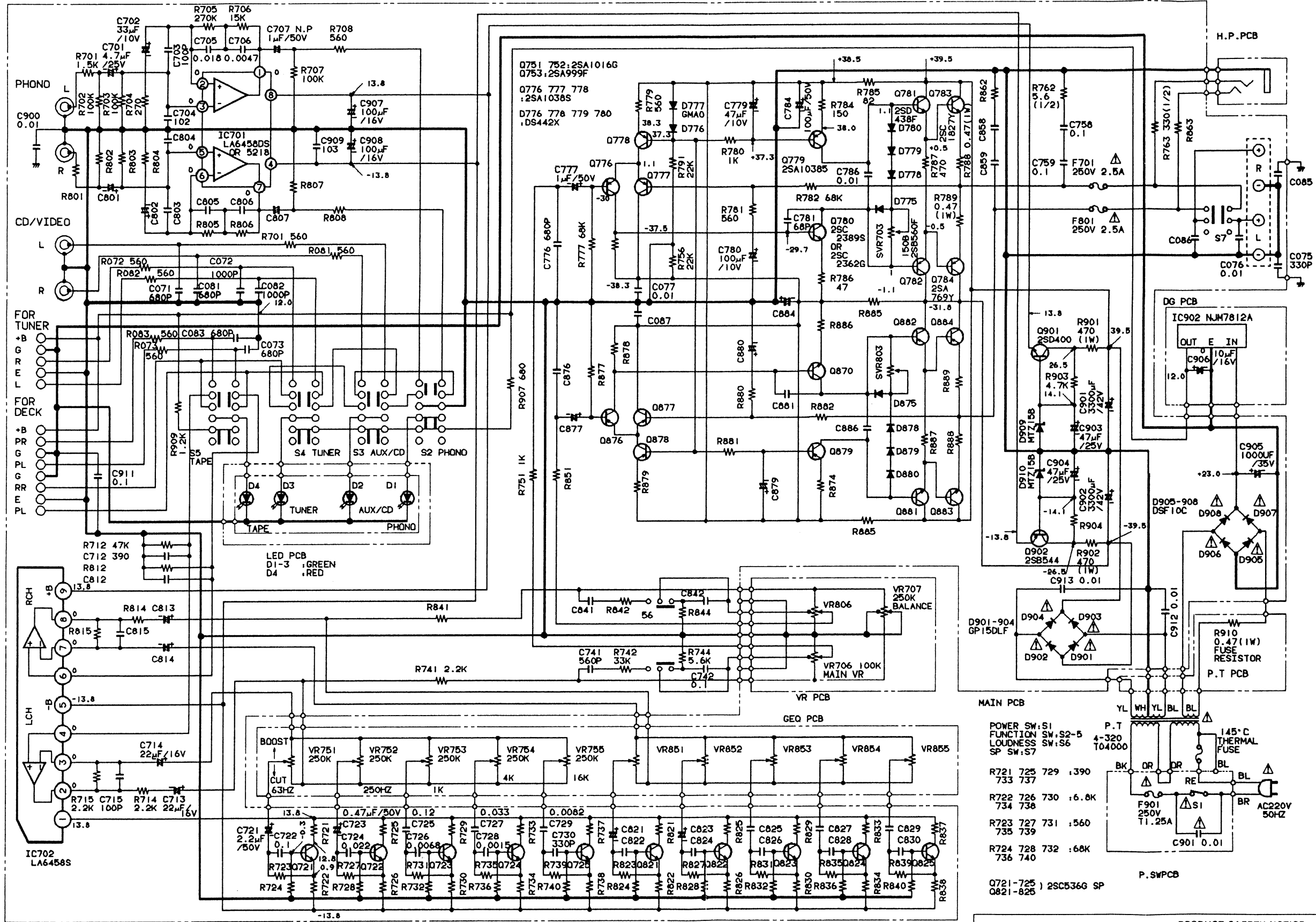
MAIN PCB ASSY

Ref. No.	Part No.	Description	Ref. No.	Part No.	Description
59	141-4-285T-12372	P.C BOARD ASSY, MAIN	C86	CM+50103KR++F	MYLAR 0.01MF 50V K R
	4-240T-50471	SOCKET, RCA 4P	C701	CE+25475MR++F	ELECT 4.7MF 25V M R
	4-237T-09993	TERMINAL BOARD, 4P, SPKR	C702	CE+10336MR++F	ELECT 33MF 10V M R
	4-267T-02600	SOCKET, TUNER	C703	CC+50101KRSLF	CERAMIC 100PF 50V K R SL
	4-267T-02700	SOCKET, DECK	C704	CC+50102KRYBF	CERAMIC 0.001MF 50V K R YB
	141-2-381T-04202	BRACKET, FUSE (F701, F801)	C705	CB+25183KRXRF	BC CON 0.018MF 25V K R XR
S2,3,4	4-248T-01500	SWITCH, FUNCTION	C706	CB+25472KRXRF	BC CON 0.0047MF 25V K R XR
S5	4-248T-02300	SWITCH, TAPE MONITOR	C707	CW+50105QVNSP	NONPOLAR 1MF 50V Q V NP
S6	4-238T-82400	SWITCH, LOUDNESS	C712	CC+50391KRSLF	CERAMIC 390PF 50V K R SL
S7	4-238T-73671	SWITCH, SPKR	C713	CE+10226MR++F	ELECT 22MF 10V M R
SVR703	4-222T-73595	SEMI-FIXED RESISTOR, 150 OHM, B	C714	CE+10226MR++F	ELECT 22MF 10V M R
SVR803	4-222T-73595	SEMI-FIXED RESISTOR, 150 OHM, B	C715	CC+50101KRSLF	CERAMIC 100PF 50V K R SL
IC701	SILA6458DS+++	IC LA6458DS DIP08	C721	CE+50225MR++F	ELECT 2.2MF 50V M R
or	SIM5218PR++++	IC M5218P R DIP08	C722	CF+50104JR++F	METAL POLY 0.1MF 50V J R
IC702	SINJM4558S+++	IC NJM4558S SIP08	C723	CE+50474MR++F	ELECT 0.47MF 50V M R
Q721	STC536G+++UB	TR 2SC536 G AUD B SP	C724	CB+25223KRXRF	BC CON 0.022MF 25V K R XR
Q722	STC536G+++UB	TR 2SC536 G AUD B SP	C725	CF+50124JR++F	METAL POLY 0.12MF 50V J R
Q723	STC536G+++UB	TR 2SC536 G AUD B SP	C726	CB+25682KRXRF	BC CON 0.0068MF 25V K R XR
Q724	STC536G+++UB	TR 2SC536 G AUD B SP	C727	CB+25333KRXRF	BC CON 0.033MF 25V K R XR
Q725	STC536G+++UB	TR 2SC536 G AUD B SP	C728	CB+25152KRXRF	BC CON 0.0015MF 25V K R XR
Q776	STA1038S++++	TR 2SA1038 S	C729	CB+25822KRXRF	BC CON 0.0082MF 25V K R XR
Q777	STA1038S++++	TR 2SA1038 S	C730	CC+50331KRSLF	CERAMIC 330PF 50V K R SL
Q778	STA1038S++++	TR 2SA1038 S	C741	CC+50561KRSLF	CERAMIC 560PF 50V K R SL
Q779	STA1038S++++	TR 2SA1038 S	C742	CM+50104KR++F	MYLAR 0.1MF 50V K R
Q780	STC2362G++++	TR 2SC2362 G	C758	CM+50103KR++F	MYLAR 0.1MF 50V K R
or	STC2389S++++	TR 2SC2389 S	C759	CM+50104KR++F	MYLAR 0.1MF 50V K R
Q781	STD438F++++	TR 2SD438 F	C776	CC+50101KRSLF	CERAMIC 100PF 50V K R SL
Q782	STB560F++++	TR 2SB560 F	C777	CE+50105MR++F	ELECT 1MF 50V M R
Q783	STC1827Y++++	TR 2SC1827 Y	C779	CE+10476MR++F	ELECT 47MF 10V M R
Q784	STA769Y++++	TR 2SA769 Y	C780	CE+10107MR++F	ELECT 100MF 10V M R
Q821	STC536G+++UB	TR 2SC536 G AUD B SP	C781	CC+50104KRSLF	CERAMIC 0.1MF 50V K R SL
Q822	STC536G+++UB	TR 2SC536 G AUD B SP	C784	CE+50107MY++S	ELECT 100MF 50V M Y
Q823	STC536G+++UB	TR 2SC536 G AUD B SP	C786	CC+50103ZRZFF	CERAMIC 0.01MF 50V Z R ZF
Q824	STC536G+++UB	TR 2SC536 G AUD B SP	C801	CE+25475MR++F	ELECT 4.7MF 25V M R
Q825	STC536G+++UB	TR 2SC536 G AUD B SP	C802	CE+10336MR++F	ELECT 33MF 10V M R
Q876	STA1038S++++	TR 2SA1038 S	C803	CC+50101KRSLF	CERAMIC 100PF 50V K R SL
Q877	STA1038S++++	TR 2SA1038 S	C804	CC+50102KRYBF	CERAMIC 0.001MF 50V K R YB
Q878	STA1038S++++	TR 2SA1038 S	C805	CB+25183KRXRF	BC CON 0.018MF 25V K R XR
Q879	STA1038S++++	TR 2SA1038 S	C806	CB+25472KRXRF	BC CON 0.0047MF 25V K R XR
Q880	STC2362G++++	TR 2SC2362 G	C807	CW+50105QVNSP	NONPOLAR 1MF 50V Q V NP
or	STC2389S++++	TR 2SC2389 S	C812	CC+50391KRSLF	CERAMIC 390PF 50V K R SL
Q881	STD438F++++	TR 2SD438 F	C813	CE+10226MR++F	ELECT 22MF 10V M R
Q882	STB560F++++	TR 2SB560 F	C814	CE+10226MR++F	ELECT 22MF 10V M R
Q883	STC1827Y++++	TR 2SC1827 Y	C815	CC+50101KRSLF	CERAMIC 100PF 50V K R SL
Q884	STA769Y++++	TR 2SA769 Y	C821	CE+50225MR++F	ELECT 2.2MF 50V M R
Q901	STD400F++++	TR 2SD400 F	C822	CF-50104JR++F	METAL POLY 0.1MF 50V J R
Q902	STB544F++++	TR 2SB544 F	C823	CE+50474MR++F	ELECT 0.47MF 50V M R
D776	SDDS442X+++T	DIODE DS442 X	C824	CB+25223KRXRF	BC CON 0.022MF 25V K R XR
D777	SDGMA01++++T	DIODE GMA01	C825	CF+50124JR++F	METAL POLY 0.12MF 50V J R
D778	SDDS442X+++T	DIODE DS442 X	C826	CB+25682KRXRF	BC CON 0.0068MF 25V K R XR
D779	SDDS442X+++T	DIODE DS442 X	C827	CB+25333KRXRF	BC CON 0.033MF 25V K R XR
D780	SDDS442X+++T	DIODE DS442 X	C828	CB+25152KRXRF	BC CON 0.0015MF 25V K R XR
D877	SDGMA01++++T	DIODE GMA01	C829	CB+25822KRXRF	BC CON 0.0082MF 25V K R XR
D878	SDDS442X+++T	DIODE DS442 X	C830	CC+50331KRSLF	CERAMIC 330PF 50V K R SL
D879	SDDS442X+++T	DIODE DS442 X	C841	CC+50561KRSLF	CERAMIC 560PF 50V K R SL
D880	SDDS442X+++T	DIODE DS442 X	C842	CM+50104KR++F	MYLAR 0.1MF 50V K R
D901	△ SDGP15+LD+++	DIODE GP15 D L FORMING	C858	CM+50104KR++F	MYLAR 0.1MF 50V K R
D902	△ SDGP15+LD+++	DIODE GP15 D L FORMING	C859	CM+50104KR++F	MYLAR 0.1MF 50V K R
D903	△ SDGP15+LD+++	DIODE GP15 D L FORMING	C876	CC+50101KRSLF	CERAMIC 100PF 50V K R SL
D904	△ SDGP15+LD+++	DIODE GP15 D L FORMING	C877	CE+50105MR++F	ELECT 1MF 50V M R
D905	△ SDDSF10+C+++T	DIODE DSF10 C T	C879	CE+10476MR++F	ELECT 47MF 10V M R
D906	△ SDDSF10+C+++T	DIODE DSF10 C T	C880	CE+10107MR++F	ELECT 100MF 10V M R
D907	△ SDDSF10+C+++T	DIODE DSF10 C T	C881	CC+50680KRSLF	CERAMIC 68PF 50V K R SL
D908	△ SDDSF10+C+++T	DIODE DSF10 C T	C884	CE+50107MY++S	ELECT 100MF 50V M Y
D909	SDMTZ150B+++T	ZENER DIODE MTZ15.0B	C886	CC+50103ZRZFF	CERAMIC 0.01MF 50V Z R ZF
D910	SDMTZ150B+++T	ZENER DIODE MTZ15.0B	C900	CC+50103ZRZFF	CERAMIC 0.01MF 50V Z R ZF
C71	CC+50681KRSLF	CERAMIC 680PF 50V K R SL	C901	4-163T-11400	ELECT 3300MF 42V
C72	CC+50102KRYBF	CERAMIC 0.001MF 50V K R YB	C902	4-163T-11400	ELECT 3300MF 42V
C73	CC+50681KRSLF	CERAMIC 680PF 50V K R SL	C903	CE+25476MR++F	ELECT 47MF 25V M R
C76	CM+50103KR++F	MYLAR 0.01MF 50V K R	C904	CE+25476MR++F	ELECT 47MF 25V M R
C81	CC+50681KRSLF	CERAMIC 680PF 50V K R SL	C905	CE+35108MVHAS	ELECT 1000MF 35V M V HA S
C82	CC+50102KRYBF	CERAMIC 0.001MF 50V K R YB	C907	CE+16107MR++F	ELECT 100MF 16V M R
C83	CC+50681KRSLF	CERAMIC 680PF 50V K R SL	C908	CE+16107MR++F	ELECT 100MF 16V M R
			C909	CC+50103ZRZFF	CERAMIC 0.01MF 50V Z R ZF

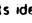
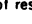
CABINET & CHASSIS EXPLODED VIEW



SCHEMATIC DIAGRAM

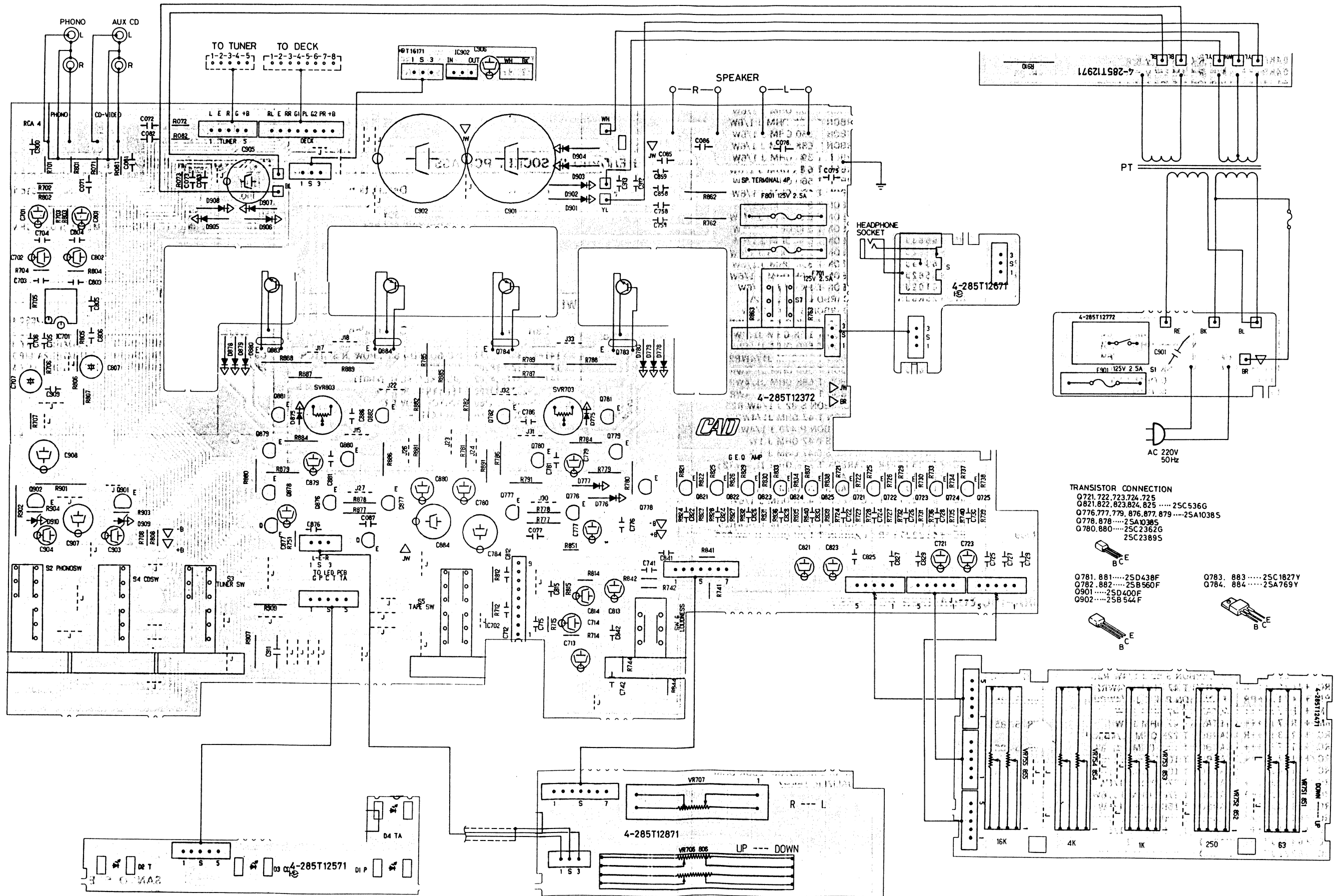


PRODUCT SAFETY NOTICE

Each precaution in this manual should be followed during servicing. Components identified with the IEC symbol  in the parts list and the schematic diagram designate components in which safety can be of special significance. When replacing a component identified with , use only the replacement parts designated, or parts with the same ratings of resistance, wattage or voltage that are designated in the parts list in this manual.

Leakage-current or resistance measurements must be made to determine that exposed parts are acceptably insulated from the supply circuit before returning the product to the customer.

WIRING DIAGRAM



TRANSISTOR CONNECTION
 Q721, 722, 723, 724, 725 2SC536G
 Q821, 822, 823, 824, 825 2SC536G
 Q776, 777, 779, 876, 877, 879 2SA1038S
 Q778, 878 2SA1038S
 Q780, 880 2SC2362G
 2SC2389S

Q781, 881 2SD438F
 Q782, 882 2SB560F
 Q901 2SD400F
 Q902 2SB544F

Q783, 883 2SC1827Y
 Q784, 884 2SA769Y

PARTS LIST

Ref. No.	Part No.	Description
C911	CC+50104ZDF5	CERAMIC 0.1MF 50V Z D ZF
C912	CM+50104KR++F	MYLAR 0.1MF 50V K R
C913	CM+50104KR++F	MYLAR 0.1MF 50V K R
R71	RC/+6561JT+++	CARBON T 560 OHM J 1/6W
R72	RC/+6561JT+++	CARBON T 560 OHM J 1/6W
R73	RC/+6561JT+++	CARBON T 560 OHM J 1/6W
R81	RC/+6561JT+++	CARBON T 560 OHM J 1/6W
R82	RC/+6561JT+++	CARBON T 560 OHM J 1/6W
R83	RC/+6561JT+++	CARBON T 560 OHM J 1/6W
R701	RC/+6152JT+++	CARBON T 1.5K OHM J 1/6W
R702	RC/+6104JT+++	CARBON T 100K OHM J 1/6W
R703	RC/+6104JT+++	CARBON T 100K OHM J 1/6W
R704	RC/+6271JT+++	CARBON T 270 OHM J 1/6W
R705	RC/+6274JT+++	CARBON T 270K OHM J 1/6W
R706	RC/+6153JT+++	CARBON T 15K OHM J 1/6W
R707	RC/+6104JT+++	CARBON T 100K OHM J 1/6W
R708	RC/+6561JT+++	CARBON T 560 OHM J 1/6W
R712	RC/+6473JT+++	CARBON T 47K OHM J 1/6W
R714	RC/+6222JT+++	CARBON T 2.2K OHM J 1/6W
R715	RC/+6222JT+++	CARBON T 2.2K OHM J 1/6W
R721	RC/+6391JT+++	CARBON T 390 OHM J 1/6W
R722	RC/+6682JT+++	CARBON T 6.8K OHM J 1/6W
R723	RC/+6561JT+++	CARBON T 560 OHM J 1/6W
R724	RC/+6683JT+++	CARBON T 68K OHM J 1/6W
R725	RC/+6391JT+++	CARBON T 390 OHM J 1/6W
R726	RC/+6682JT+++	CARBON T 6.8K OHM J 1/6W
R727	RC/+6561JT+++	CARBON T 560 OHM J 1/6W
R728	RC/+6683JT+++	CARBON T 68K OHM J 1/6W
R729	RC/+6391JT+++	CARBON T 390 OHM J 1/6W
R730	RC/+6682JT+++	CARBON T 6.8K OHM J 1/6W
R731	RC/+6561JT+++	CARBON T 560 OHM J 1/6W
R732	RC/+6683JT+++	CARBON T 68K OHM J 1/6W
R733	RC/+6391JT+++	CARBON T 390 OHM J 1/6W
R734	RC/+6682JT+++	CARBON T 6.8K OHM J 1/6W
R735	RC/+6561JT+++	CARBON T 560 OHM J 1/6W
R736	RC/+6683JT+++	CARBON T 68K OHM J 1/6W
R737	RC/+6391JT+++	CARBON T 390 OHM J 1/6W
R738	RC/+6682JT+++	CARBON T 6.8K OHM J 1/6W
R739	RC/+6561JT+++	CARBON T 560 OHM J 1/6W
R740	RC/+6683JT+++	CARBON T 68K OHM J 1/6W
R741	RC/+6222JT+++	CARBON T 2.2K OHM J 1/6W
R742	RC/+6333JT+++	CARBON T 33K OHM J 1/6W
R744	RC/+6562JT+++	CARBON T 5.6K OHM J 1/6W
R751	RC/+6102JT+++	CARBON T 1K OHM J 1/6W
R762	RF/+25R6JSFP+	FP-CARBON S 5.6 J 1/2W
R763	RF/+2331JSFP+	FP-CARBON S 330 J 1/2W
R777	RC/+4683JT++R	CARBON T 68K OHM J1/4WR25
R778	RC/+4152JT++R	CARBON T 1.5K OHM J1/4WR25
R779	RC/+4561JT++R	CARBON T 560 OHM J1/4WR25
R780	RC/+4102JT++R	CARBON T 1K OHM J1/4WR25
R781	RC/+4561JT++R	CARBON T 560 OHM J1/4WR25
R782	RC/+4683JT++R	CARBON T 68K OHM J1/4WR25
R784	RC/+4151JT++R	CARBON T 150 OHM J1/4WR25
R785	RF/+4820JSFPR	FP-CARBON S 82 J 1/4W R25
R786	RC/+4470JT++R	CARBON T 47 OHM J1/4WR25
R787	RF/+4471JPFPR	FP-CARBON P 470 J 1/4WR25
R788	RM++1R47JS+++	METAL S 0.47 OHM J 1W
R789	RM++1R47JS+++	METAL S 0.47 OHM J 1W
R791	RC/+4223JT++R	CARBON T 22K OHM J1/4WR25
R801	RC/+6152JT+++	CARBON T 1.5K OHM J 1/6W
R802	RC/+6104JT+++	CARBON T 100K OHM J 1/6W
R803	RC/+6104JT+++	CARBON T 100K OHM J 1/6W
R804	RC/+6271JT+++	CARBON T 270 OHM J 1/6W
R805	RC/+6274JT+++	CARBON T 270K OHM J 1/6W
R806	RC/+6153JT+++	CARBON T 15K OHM J 1/6W
R807	RC/+6104JT+++	CARBON T 100K OHM J 1/6W
R808	RC/+6561JT+++	CARBON T 560 OHM J 1/6W
R812	RC/+6473JT+++	CARBON T 47K OHM J 1/6W
R814	RC/+6222JT+++	CARBON T 2.2K OHM J 1/6W
R815	RC/+6222JT+++	CARBON T 2.2K OHM J 1/6W
R821	RC/+6391JT+++	CARBON T 390 OHM J 1/6W
R822	RC/+6682JT+++	CARBON T 6.8K OHM J 1/6W
R823	RC/+6561JT+++	CARBON T 560 OHM J 1/6W

Ref. No.	Part No.	Description
R824	RC +6683JT+++	CARBON T 68K OHM J 1/6W
R825	RC +6391JT+++	CARBON T 390 OHM J 1/6W
R826	RC/+6682JT+++	CARBON T 6.8K OHM J 1/6W
R827	RC +6561JT+++	CARBON T 560 OHM J 1/6W
R828	RC +6683JT+++	CARBON T 68K OHM J 1/6W
R829	RC +6391JT+++	CARBON T 390 OHM J 1/6W
R830	RC +6682JT+++	CARBON T 6.8K OHM J 1/6W
R831	RC +6561JT+++	CARBON T 560 OHM J 1/6W
R832	RC +6683JT+++	CARBON T 68K OHM J 1/6W
R833	RC +6391JT+++	CARBON T 390 OHM J 1/6W
R834	RC +6682JT+++	CARBON T 6.8K OHM J 1/6W
R835	RC +6561JT+++	CARBON T 560 OHM J 1/6W
R836	RC +6683JT+++	CARBON T 68K OHM J 1/6W
R837	RC +6391JT+++	CARBON T 390 OHM J 1/6W
R838	RC +6682JT+++	CARBON T 6.8K OHM J 1/6W
R839	RC +6561JT+++	CARBON T 560 OHM J 1/6W
R840	RC +6683JT+++	CARBON T 68K OHM J 1/6W
R841	RC +6222JT+++	CARBON T 2.2K OHM J 1/6W
R842	RC +6333JT+++	CARBON T 33K OHM J 1/6W
R844	RC +6562JT+++	CARBON T 5.6K OHM J 1/6W
R851	RC +6102JT+++	CARBON T 1K OHM J 1/6W
R862	RF +25R6JSFP+	FP-CARBON S 5.6 J 1/2W
R863	RF +2331JSFP+	FP-CARBON S 330 J 1/2W
R877	RC +4683JT++R	CARBON T 68K OHM J1/4WR25
R878	RC +4152JT++R	CARBON T 1.5K OHM J1/4WR25
R879	RC +4561JT++R	CARBON T 560 OHM J1/4WR25
R880	RC +4102JT++R	CARBON T 1K OHM J1/4WR25
R881	RC +4561JT++R	CARBON T 560 OHM J1/4WR25
R882	RC +4683JT++R	CARBON T 68K OHM J1/4WR25
R884	RC +4151JT++R	CARBON T 150 OHM J1/4WR25
R885	RF +4820JSFPR	FP-CARBON S 82 J 1/4W R25
R886	RC +4470JT++R	CARBON T 47 OHM J1/4WR25
R887	RF +4471JPFPR	FP-CARBON P 470 J 1/4WR25
R888	RM++1R47JS+++	METAL S 0.47 OHM J 1W
R889	RM++1R47JS+++	METAL S 0.47 OHM J 1W
R891	RC +4223JT++R	CARBON T 22K OHM J1/4WR25
R901	RM++1471JS+++	METAL S 470 OHM J 1W
R902	RM++1471JS+++	METAL S 470 OHM J 1W
R903	RC +6472JT+++	CARBON T 4.7K OHM J 1/6W
R904	RC +6472JT+++	CARBON T 4.7K OHM J 1/6W
R907	RC +4681JT++R	CARBON T 680 OHM J1/4WR25
R909	RC +4122JT++R	CARBON T 1.2K OHM J1/4WR25

GRAPHIC EQUALIZER PCB ASSY

Ref. No.	Part No.	Description
60	141-4-285T-12471	P.C BOARD ASSY, GRAPHIC EQUALIZER
VR751,851	4-220T-07673	VARIABLE RESISTOR, 250K OHM, EQUALIZER, 63HZ
VR752,852	4-220T-07673	VARIABLE RESISTOR, 250K OHM, EQUALIZER, 250HZ
VR753,853	4-220T-07673	VARIABLE RESISTOR, 250K OHM, EQUALIZER, 1KHZ
VR754,854	4-220T-07673	VARIABLE RESISTOR, 250K OHM, EQUALIZER, 4KHZ
VR755,855	4-220T-07673	VARIABLE RESISTOR, 250K OHM, EQUALIZER, 16KHZ

PARTS LIST

LED PCB ASSY

Ref. No.	Part No.	Description
61	141-4-285T-12571	P.C BOARD ASSY, LED
D1	SLSLP238FB5PG	LED SLP238F-51P B GREEN
D2	SLSLP238FB5PG	LED SLP238F-51P B GREEN
D3	SLSLP238FB5PG	LED SLP238F-51P B GREEN
D4	SLSLP138CB5RE	LED SLP138C-51 B RED

HEADPHONE SOCKET PCB ASSY

Ref. No.	Part No.	Description
62	141-4-285T-12671	P.C BOARD ASSY, HEADPHONE SOCKET
	4-240T-80871	SOCKET, HEADPHONE

POWER SWITCH PCB ASSY

Ref. No.	Part No.	Description
63	141-4-285T-12772	P.C BOARD ASSY, POWER SWITCH
	141-2-382T-18900	TERMINAL
	141-2-381T-04202	BRACKET, FUSE (F901)
	4-237T-00100	TERMINAL BOARD
S1	△ 4-238T-70380	SWITCH, POWER
C900	△ 4-223T-12280	CAPACITOR

VOLUME PCB ASSY

Ref. No.	Part No.	Description
64	141-4-285T-12871	P.C BOARD ASSY, VOLUME
VR706,806	4-220T-20200	VARIABLE RESISTOR, 100K OHM, VOLUME
VR707	4-220T-30300	VARIABLE RESISTOR, 250K OHM, BALANCE

TRANSFORMER PCB ASSY

Ref. No.	Part No.	Description
65	141-4-285T-12971	P.C BOARD ASSY, TRANSFORMER
R910	△ RM++1R47JS+++	METAL S 0.47 OHM J 1W

POWER PCB ASSY

Ref. No.	Part No.	Description
66	141-4-285T-16171	P.C BOARD ASSY, POWER
IC902	S1NJM7812A+++	IC NJM7812A SIP03
C906	CE+16106MY++S	ELECT 10MF 16V M Y

SANYO ELECTRIC TRADING CO., LTD.
 33, Hiyoshi-cho 2-chome, Moriguchishi,
 Osaka-fu 570, Japan
 May./'85/2200 NS Printed in Japan